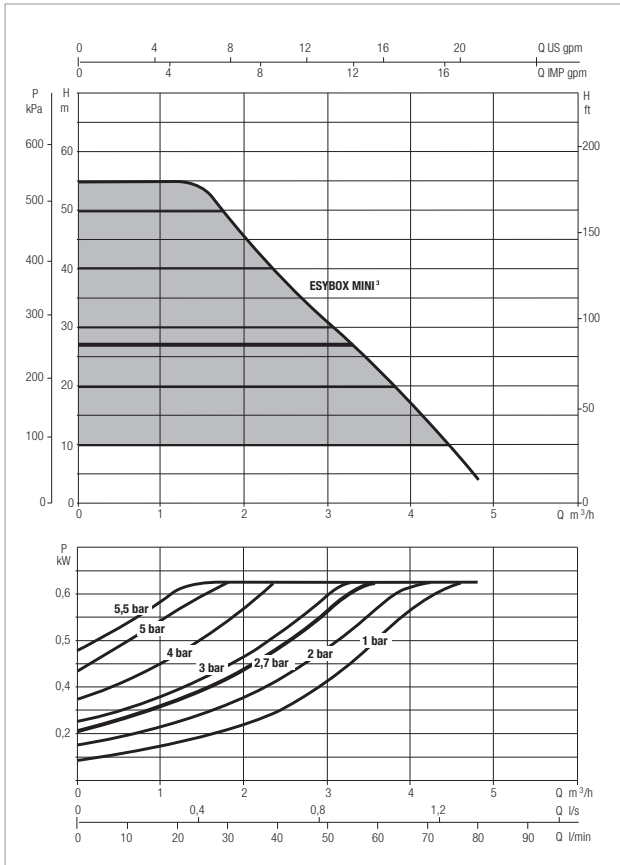
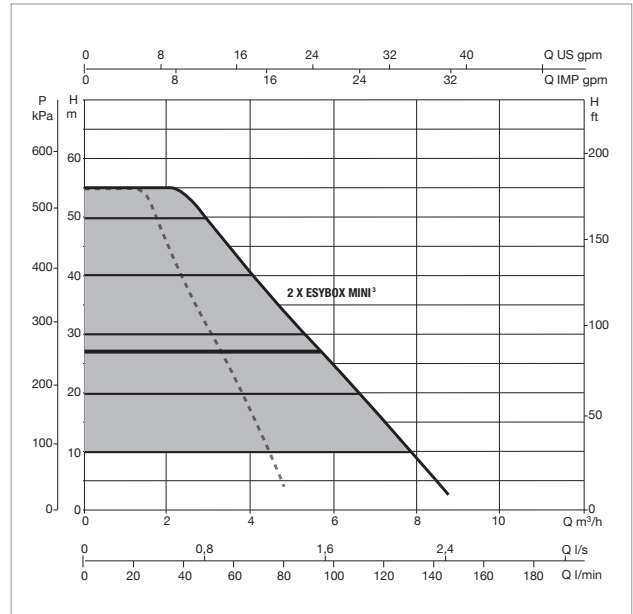


ESYBOX MINI³ - ELECTRONIC PRESSURISATION SYSTEM

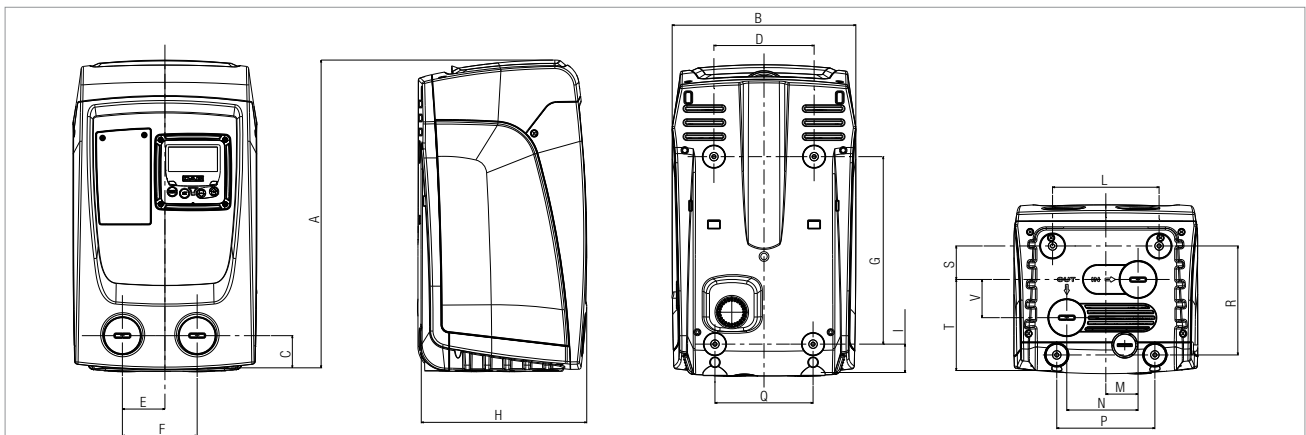
Liquid temperature range: from 0°C a +35°C for domestic use - from 0°C a +40°C for other uses. Maximum ambient temperature: +50°C



The performance curves are based on the kinematic viscosity values = 1 mm²/s and density equivalent to 1000 kg/m³. Curve tolerance according to ISO 9906.



The performance curves are based on the kinematic viscosity values = 1 mm²/s and density equivalent to 1000 kg/m³. Curve tolerance according to ISO 9906.



MODEL	Q=m ³ /h	0	0,6	1,2	1,8	2,4	3	3,6	4,2	4,8	5,4	6	6,6	7,2
		Q=l/min	0	10	20	30	40	50	60	70	80	90	100	110
ESYBOX MINI ³	H (m)	55	55	55	49	39	31	23	14	4				

MODEL	Q=m ³ /h	0	1,2	2,4	3,6	4,8	6	7,2	8,4	9,6	10,8	12	13,2	14,4
		Q=l/min	0	20	40	60	80	100	120	140	160	180	200	120
2 X ESYBOX MINI ³	H (m)	55	55	54	45	34	26	16	6					

MODEL	ELECTRICAL DATA				
	N° IMPELLER	POWER INPUT 50/60 Hz	P1 MAX		In A
			kW	HP	
ESYBOX MINI ³	3	1x220-240 V ~	0,85	1,1	4,8

MODEL	A	B	C	D	E	F	G	H	I	L	M	N	P	Q	R	S	T	V	DNA	DNM	PACKING DIMENSIONS			WEIGHT Kg
	L/A	L/B	H																					
ESYBOX MINI ³	439	263	46	143	60,7	106,7	279,5	236	40,5	152	46	101,7	140	140	155,5	47,8	133	54,5	1"	1"	300	500	320	14,6