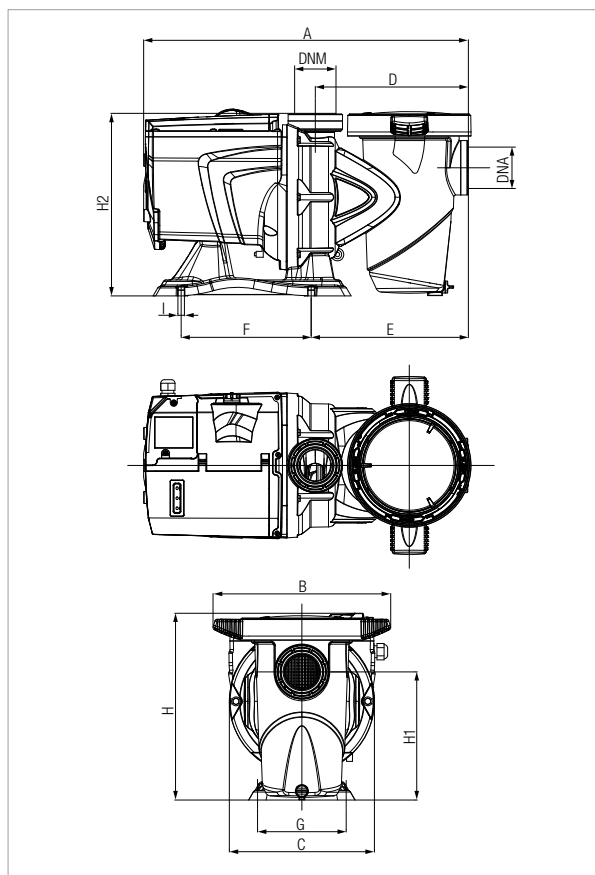
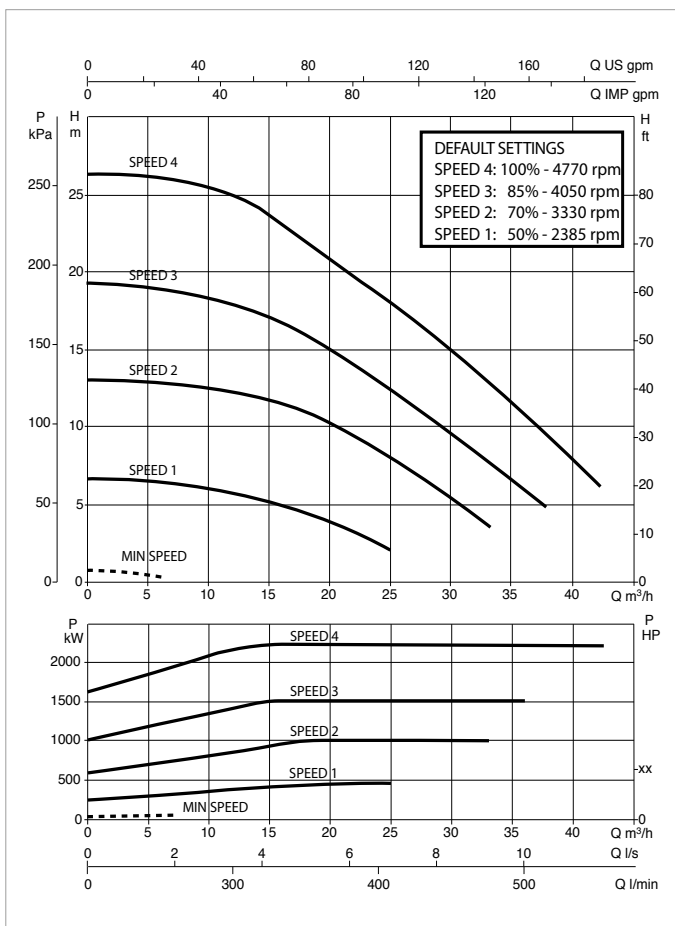


ESWIM 300 - SWIMMING POOL PUMP

Pumped liquid temperature range: up to 40 °C - Maximum ambient temperature: +50 °C



The performance curves are based on kinematic viscosity values = 1 mm²/s and density equal to 1000 kg/m³. Curve tolerance according to ISO 9906.



MODEL	Q= m ³ /h	0	5	10	15	20	25	30	35	40	42,6
	Q=l/min	0	83	166	250	333	416	500	583	666	710
ESWIM 300	H (m)	26	25,4	24,8	23,2	20,6	17,4	14,4	11,5	7,8	6

MODEL	POWER INPUT 50 Hz	P1 MAX kW	P2 NOMINAL		In A	NOISE LEVEL - MEDIUM WORKING POSITION db (A)
			kW	HP		
ESWIM 300	230 V	2,25	1,9	2,6	10	44 dB(A)

MODEL	A	B	C	D	E	F	G	H	H1	H2	I	DNA	DNM	PACKING DIMENSIONS			GROSS WEIGHT kg	Q.TY X PALLET
														L/A	L/B	H		
ESWIM 300	574	304	290	269	276	220	150	354	252	344	11	2" F	2" F	720	350	430	21,3	6